

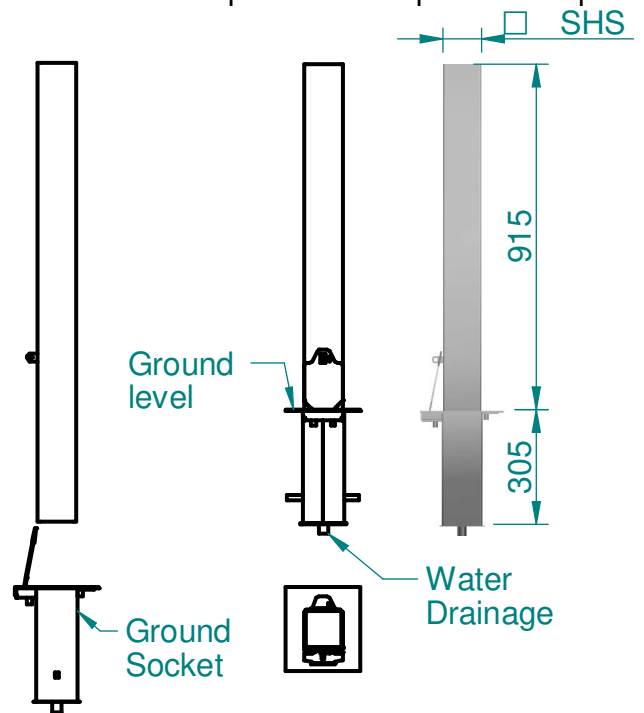
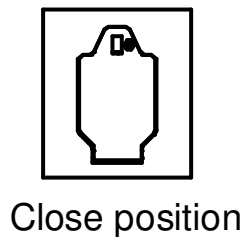
Removable Padlock Square Bollard Stainless steel

Removable Padlock Square Bollard quickly and easily restrict or allow to access your property.

The Embedment Sleeve lid conveniently secures the removable bollard into place with a padlock. When the bollard is removed, the sleeve's lid closes over the opening for a smooth surfaced and can be secured into place.

Embedment Sleeve material is Stainless Steel to protect scratch, corrosion, long life

Ground socket lid and top plate are anti slip pattern, and are available plain surface plate on request.



Specifications:

- Material AISI304 / 1.4301
- Finish: #4 polished
- Water drainage connection
- Three type of Top(Cap) style
- Size and wall thickness mention in below table

Options:

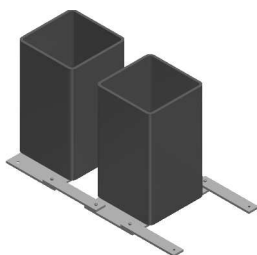
- Padlock
- Choice of finish
- Storage sleeve floor / wall mounting
- Reflective tape
- Ground socket plate & lid plain surface
- Customize height
- AISI 316 Material

Bollard removal Secured Bollard

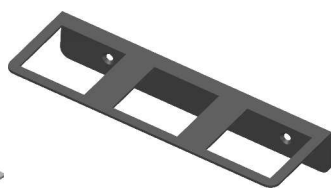
Models

SHS & Wall Thickness	3.5 / 0.120"	3.5 / 0.180"	4 / 0.120"	4 / 0.180"	4.5 / 0.120"	4.5 / 0.180"	5 / 0.120"	5 / 0.180"	6 / 0.120"	6 / 0.180"
Flat Top	3203-10	3203-11	3203-12	3203-13	3203-14	3203-15	3203-16	3203-17	3203-18	3203-19
Angled Top	3203-20	3203-21	3203-22	3203-23	3203-24	3203-25	3203-26	3203-27	3203-28	3203-29
Diamond Top	3203-30	3203-31	3203-32	3203-33	3203-34	3203-35	3203-36	3203-37	3203-38	3203-39

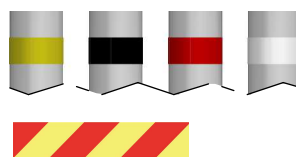
Optional Items:



Storage sleeve floor



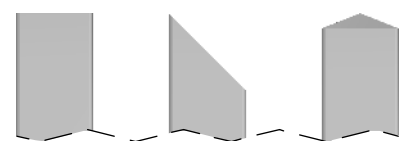
Storage sleeve wall mounting



Reflective tape

Yellow, Black, Red, White, Red & yellow

Cap Styles



Flat

Angled

Diamond