

**ApNova**  
INFRA TEK

step towards  
better future

## Recycling Bins

Stainless Steel



### LEVA

W x D x H

1000 x 430 x 930mm  
(39.3" x 16.9" x 36.6" inch)

Volume

3 x 60 ltr = 180 ltr  
(3 x 15.8 gal = 47.5 gallon)

Finishes



Stainless steel (Inner bin galvanize steel)



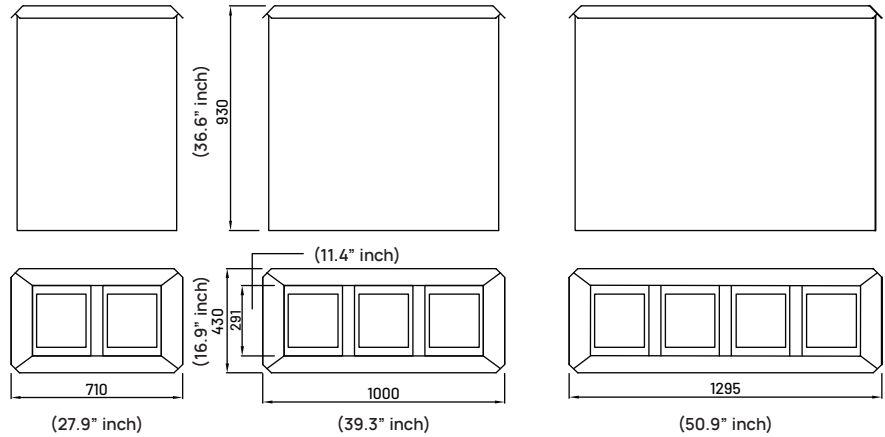
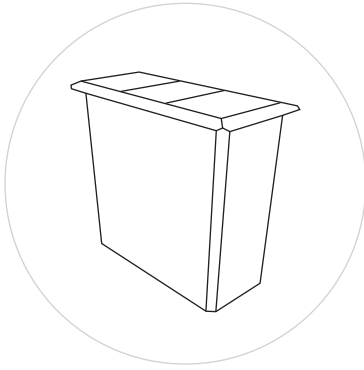
All stainless steel

# Models

LR-S2

LR-S3

LR-S4



## Constructions

- Casing 1.6 mm 1.4301 / AISI 304 stainless steel
- Inner Container Galvanized Steel
- Door With Gas Spring Lock
- Freestanding or floor Fastened
- Unit ships standard with floor fastening hardware

## Available Options

- Ashtray
- Rain cover for open area
- Custom corporate or Sponsor graphics
- Garbage bags
- Optional Label for compartments

## Applications



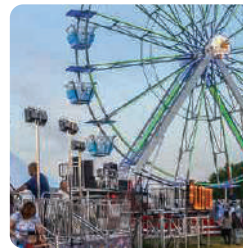
AIRPORT



RAILWAY STATION



METRO STATION



FAIR GROUND



CORPORATE BUILDING



STADIUM



HOSPITAL



MALL



GARDEN



CITY STREET