

Removable Padlock Round Bollard Stainless steel

Removable padlock round bollard quickly and easily restrict or allow to access your property.

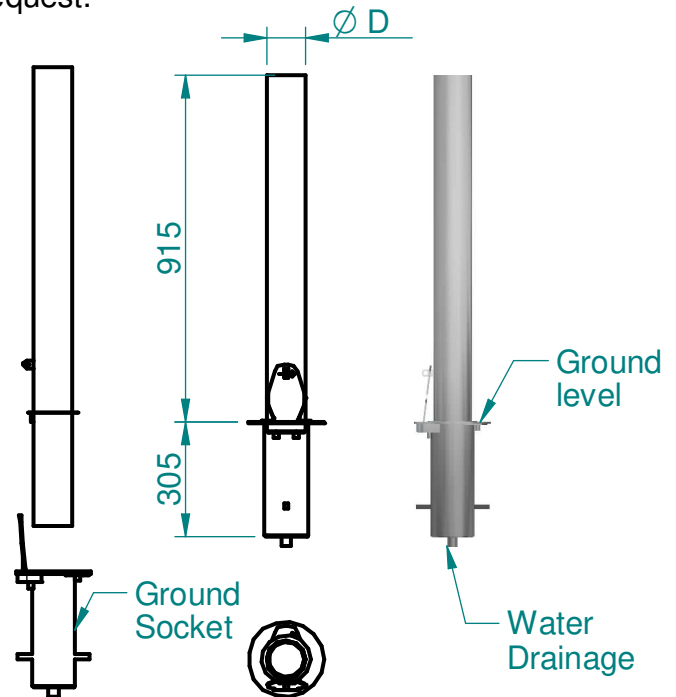
The Embedment Sleeve lid conveniently secures the removable bollard into place with a padlock. When the bollard is removed, the sleeve's lid closes over the opening for a smooth surfaced and can be secured into place.

Embedment Sleeve material is Stainless Steel to protect scratch, corrosion, long life

our lid and top plate is anti slip pattern. Flat plate on request.



Close position



Bollard removal Secured Bollard

Specifications:

- Material AISI304 / 1.4301
- Finish: #4 polished
- Water drainage connection
- Size and wall thickness mention in below table

Options:

- Padlock
- Choice of finish
- AISI 316 material
- Storage sleeve floor / wall mounting
- Reflective tape
- Ground socket plate & lid plain surface
- Customize height

Models

Diameter & Wall Thickness	3" / Sch 10	3" / Sch 40	3.5" / Sch 10	3.5" / Sch 40	4" / Sch 10	4" / Sch 40	5" / Sch 10	5" / Sch 40	6" / Sch 10	6" / Sch 40
Flat Top	3201-10	3201-11	3201-12	3201-13	3201-14	3201-15	3201-16	3201-17	3201-18	3201-19
Angled Top	3201-20	3201-21	3201-22	3201-23	3201-24	3201-25	3201-26	3201-27	3201-28	3201-29
Semi-dome	3201-30	3201-31	3201-32	3201-33	3201-34	3201-35	3201-36	3201-37	3201-38	3201-39

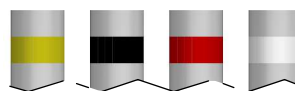
Optional Items:



Storage sleeve floor



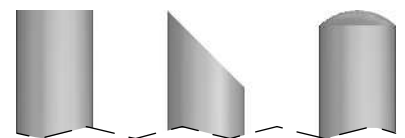
Storage sleeve wall mounting



Reflective tape

Yellow, Black, Red, White, Red & yellow

Cap Styles



Flat

Angled

Semi-dome