

Removable Padlock Round Bollard Mild steel Powder Coated

Removable padlock round bollard quickly and easily restrict or allow to access your property.

The Embedment Sleeve lid conveniently secures the removable bollard into place with a padlock. When the bollard is removed, the sleeve's lid closes over the opening for a smooth surfaced and can be secured into place.

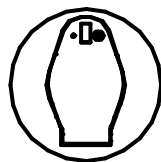
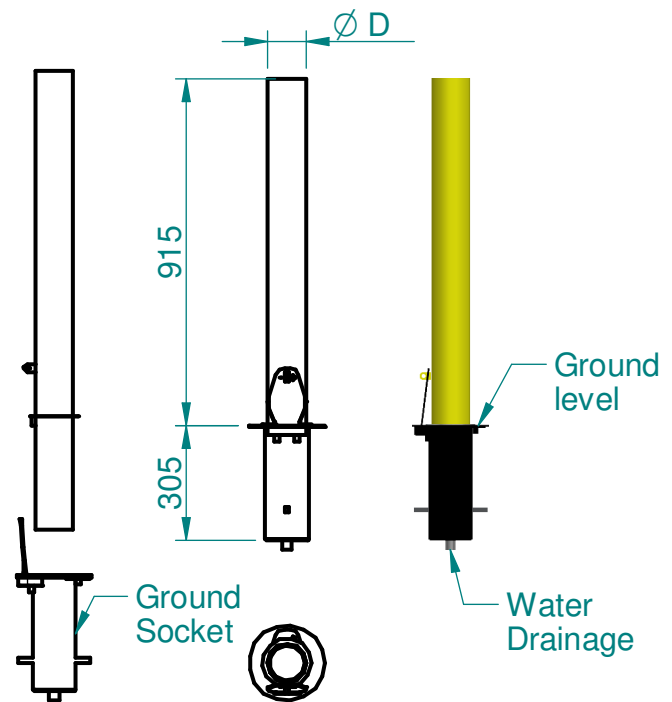
Ground socket lid and top plate is anti slip pattern. Flat plate on request.

Specifications:

- Material Mild steel powder coated
- Standard color Signal yellow & ground socket Black
- Water draingae connection
- Size and wall thickness mention in below table

Options:

- Padlock
- Choice of colors
- High strength material available on request
- Storage sleeve floor / wall mounting
- Reflective tape
- Ground socket plate & lid plain surface
- Customize height



Close position

Bollard removal Secured Bollard

Models

Diameter & Wall Thickness	3" / Sch 10	3" / Sch 40	3.5" / Sch 10	3.5" / Sch 40	4" / Sch 10	4" / Sch 40	5" / Sch 10	5" / Sch 40	6" / Sch 10	6" / Sch 40
Flat Top	3202-10	3202-11	3202-12	3202-13	3202-14	3202-15	3202-16	3202-17	3202-18	3202-19
Angled Top	3202-20	3202-21	3202-22	3202-23	3202-24	3202-25	3202-26	3202-27	3202-28	3202-29
Semi-dome	3202-30	3202-31	3202-32	3202-33	3202-34	3202-35	3202-36	3202-37	3202-38	3202-39

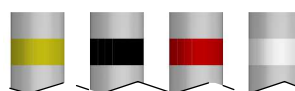
Optional Items:



Storage sleeve floor



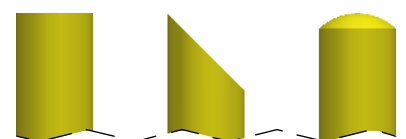
Storage sleeve wall mounting



Reflective tape

Yellow, Black, Red, White, Red & yellow

Cap Styles



Flat

Angled

Semi-dome